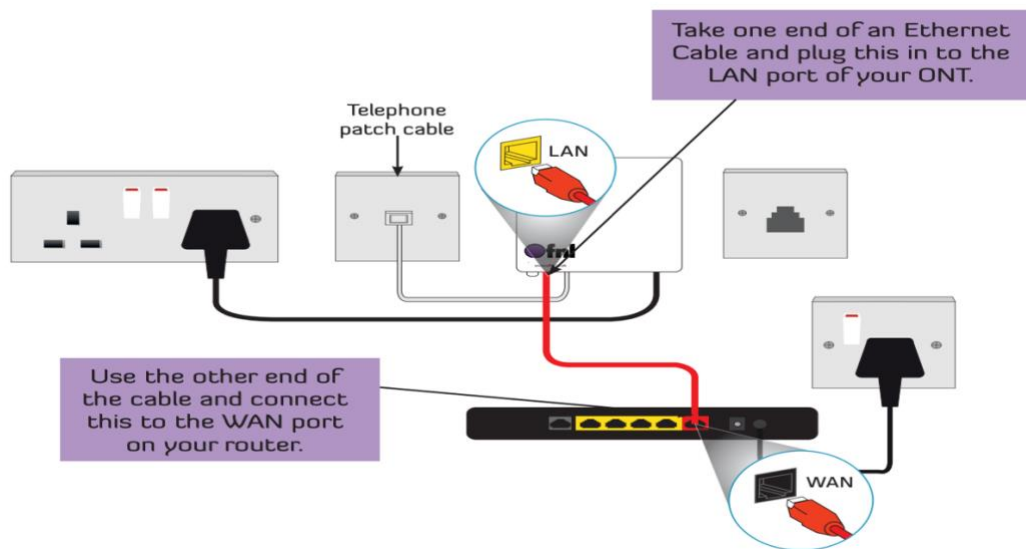


## Connecting your ONT to your router\*

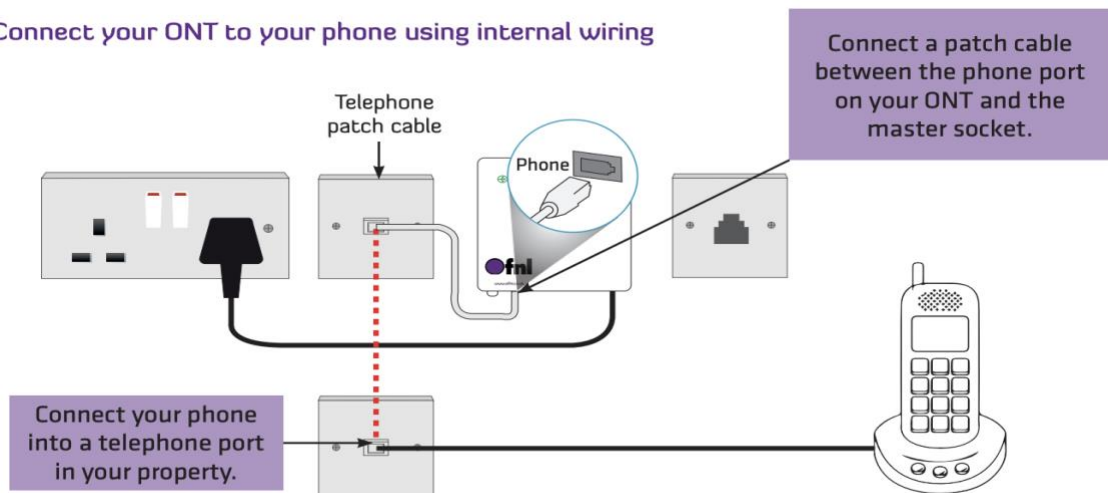
To connect your router to your internet enabled devices using a wired connection;

- Using another Ethernet cable, plug one end into any of the LAN ports on your router.
- Take the other end of the cable and plug this directly into your device.

### Connect directly to your ONT



### Connect your ONT to your phone using internal wiring



Connect your ONT to your router using internal wiring Connect your ONT to your phone using internal wiring If your property has internal wiring, you may be able to connect devices to the internet using this, or use it to relocate your router into a room of your choice.

### Connect directly to your ONT

